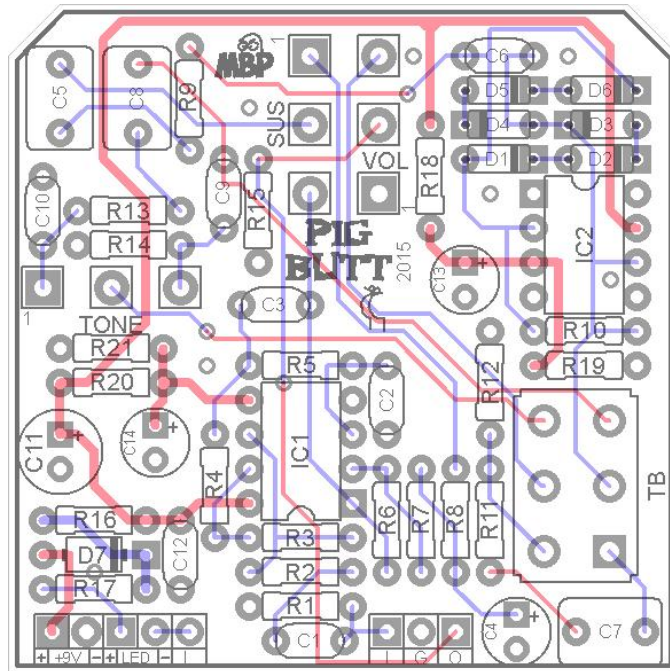
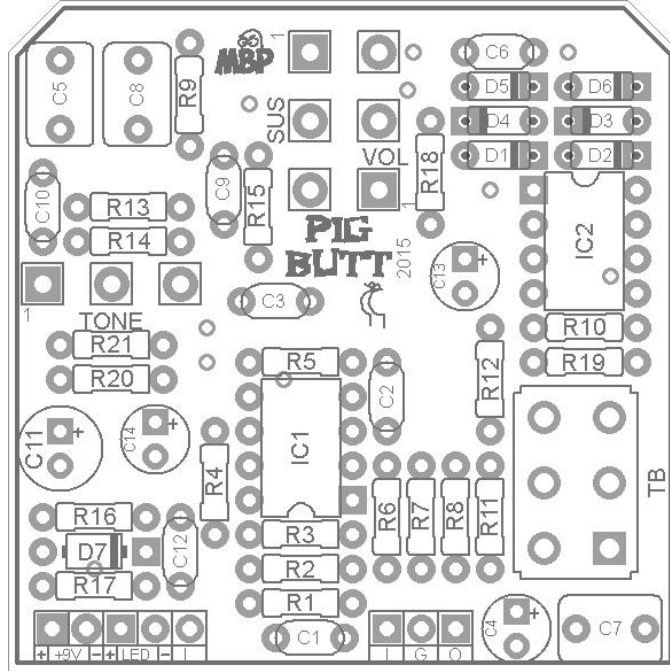


# PIGBUTT

FX TYPE: DISTORTION  
Based on the EHX Op-Amp Muff™  
© 2015 madbeanpedals

1.95" W x 1.95" H

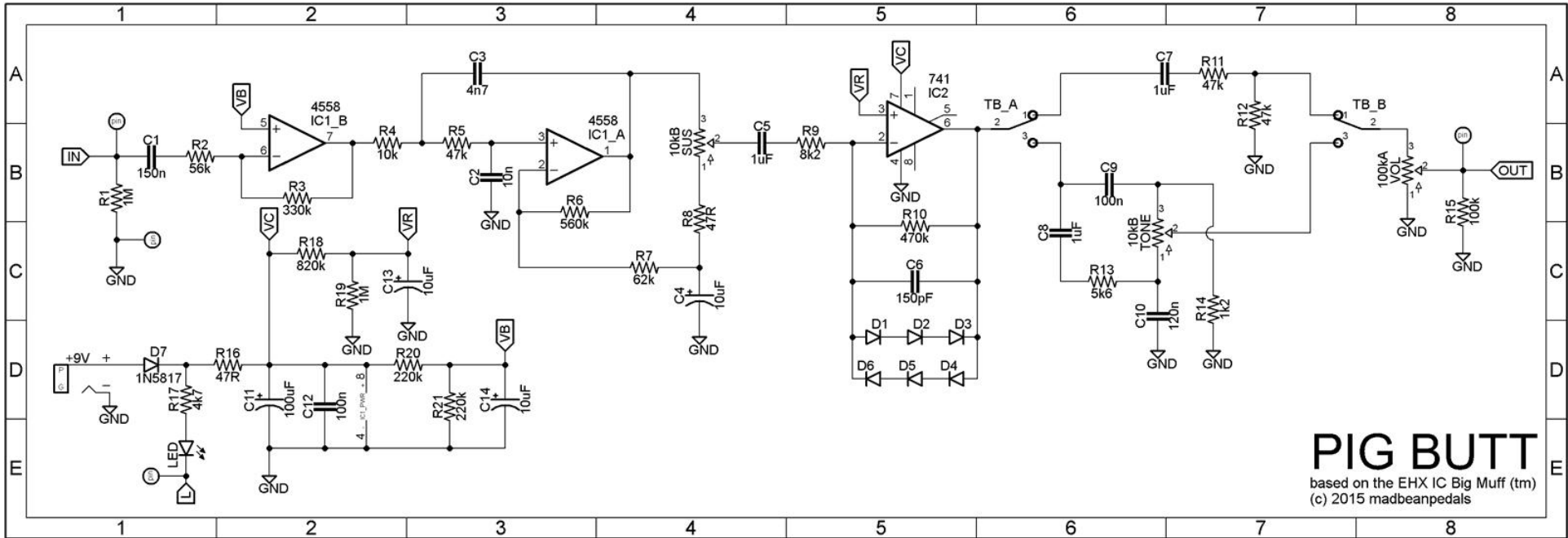


**Terms of Use:** You are free to use purchased **PigButt** circuit boards for both DIY and small commercial operations. You may not offer **PigButt** PCBs for resale or as part of a "kit" in a commercial fashion. Peer to peer re-sale is, of course, okay.

B.O.M.					
Resistors		Caps		Diodes	
R1	1M	C1	150n	D1 - D6	1N914
R2	56k	C2	10n	D7	1N5817
R3	330k	C3	4n7	I.C.	
R4	10k	C4	10uF	IC1	4558
R5	47k	C5	1uF	IC2	LM741
R6	560k	C6	150pF	Switch	
R7	62k	C7	1uF	TB	DPDT
R8	47R	C8	1uF	Pots	
R9	8k2	C9	100n	SUS	10kB
R10	470k	C10	120n	TONE	10kB
R11	47k	C11	100uF	VOL	100kA
R12	47k	C12	100n		
R13	5k6	C13	10uF		
R14	1k2	C14	10uF		
R15	100k				
R16	47R				
R17	4k7				
R18	820k				
R19	1M				
R20	220k				
R21	220k				

## Shopping List

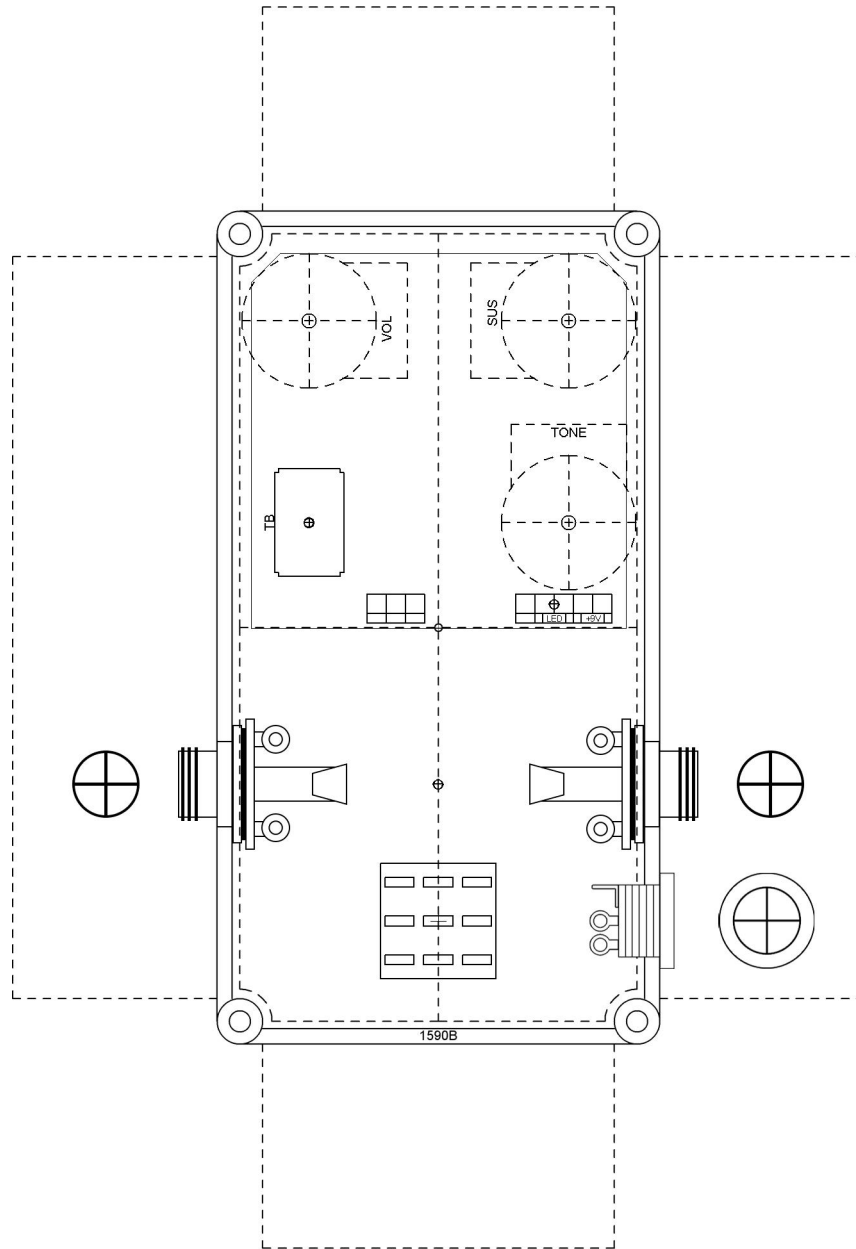
Value	QTY	Type	Rating
47R	2	Carbon/Metal Film	1/4W
1k2	1	Carbon/Metal Film	1/4W
4k7	1	Carbon/Metal Film	1/4W
5k6	1	Carbon/Metal Film	1/4W
8k2	1	Carbon/Metal Film	1/4W
10k	1	Carbon/Metal Film	1/4W
47k	3	Carbon/Metal Film	1/4W
56k	1	Carbon/Metal Film	1/4W
62k	1	Carbon/Metal Film	1/4W
100k	1	Carbon/Metal Film	1/4W
220k	2	Carbon/Metal Film	1/4W
330k	1	Carbon/Metal Film	1/4W
470k	1	Carbon/Metal Film	1/4W
560k	1	Carbon/Metal Film	1/4W
820k	1	Carbon/Metal Film	1/4W
1M	2	Carbon/Metal Film	1/4W
150pF	1	Ceramic	16v min
4n7	1	Film	16v min
10n	1	Film	16v min
100n	2	Film	16v min
120n	1	Film	16v min
150n	1	Film	16v min
1uF	3	Film	16v min
10uF	3	Electrolytic	16v min
100uF	1	Electrolytic	16v min
1N914	6		
1N5817	1		
4558	1		
LM741	1		
DPDT	1	O/On, PCB pin mount	
10kB	2	PCB mount, short pin	16mm
100kA	1	PCB mount, short pin	16mm



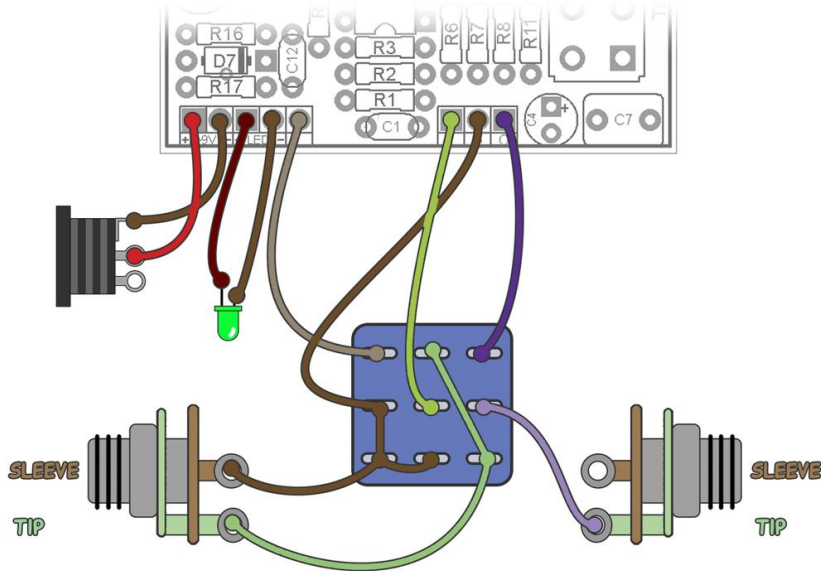
**PIG BUTT**  
 based on the EHX IC Big Muff (tm)  
 (c) 2015 madbeanpedals

# 1590B Drilling Guide

4.43" W x 6.46" H



## Wiring Guide



The **PigButt** is a modded Op-Amp Muff™. It's a nasty little beast, full of saturated distortion; not too edgy or too smooth. It provides a wonderful “wall of fuzz” like the Big Muff but with a different feel and texture. The PigButt also features a tone bypass switch for even greater distorted output.

**VOL:** The output volume.

**TONE:** The familiar Big Muff™ tone stack, but with different values.

**SUS:** Total amount of distortion.

**TB:** Tone bypass. The tone control is bypassed when the switch is in the UP position.

## Voltages

4558	vDC	LM741	vDC
1	4.57	1	3mV
2	4.59	2	4.76
3	4.49	3	4.57
4	0v	4	0v
5	4.48	5	3mV
6	4.65	6	4.76
7	4.52	7	9.03
8	9.03	8	ignore

LM741 pin8 tends to show rising mV readings – most likely caused by the DMM. Just ignore it.