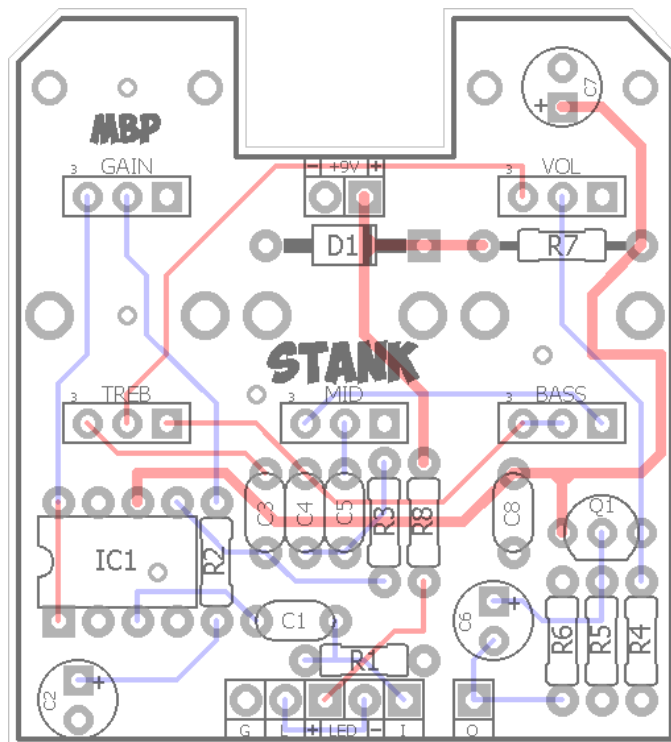
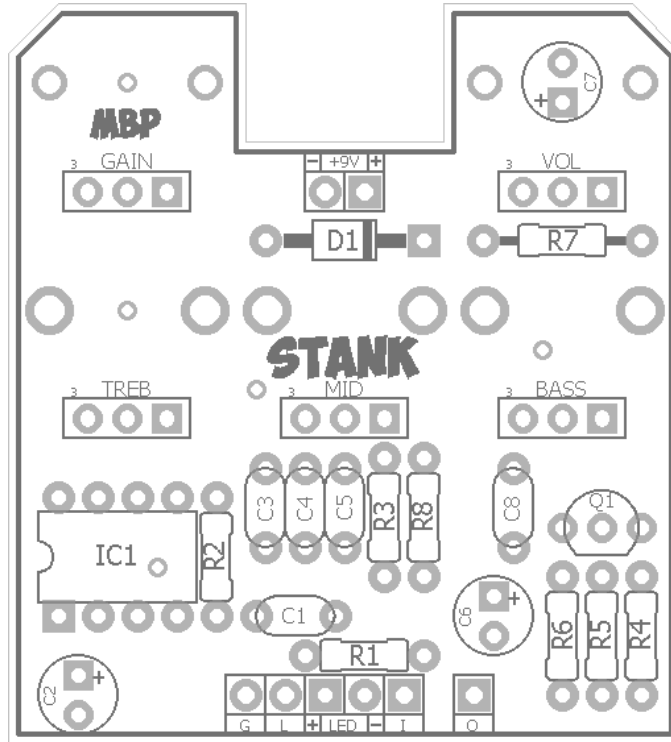


STANK

FX TYPE: Distortion
Based on the Smash Drive
© 2016 madbeanpedals

1.7" W x 1.875" H



Terms of Use: You are free to use purchased circuit boards for both DIY and small commercial operations. You may not offer these PCBs for resale or as part of a "kit" in a commercial fashion. Peer to peer re-sale is, of course, okay.

B.O.M.

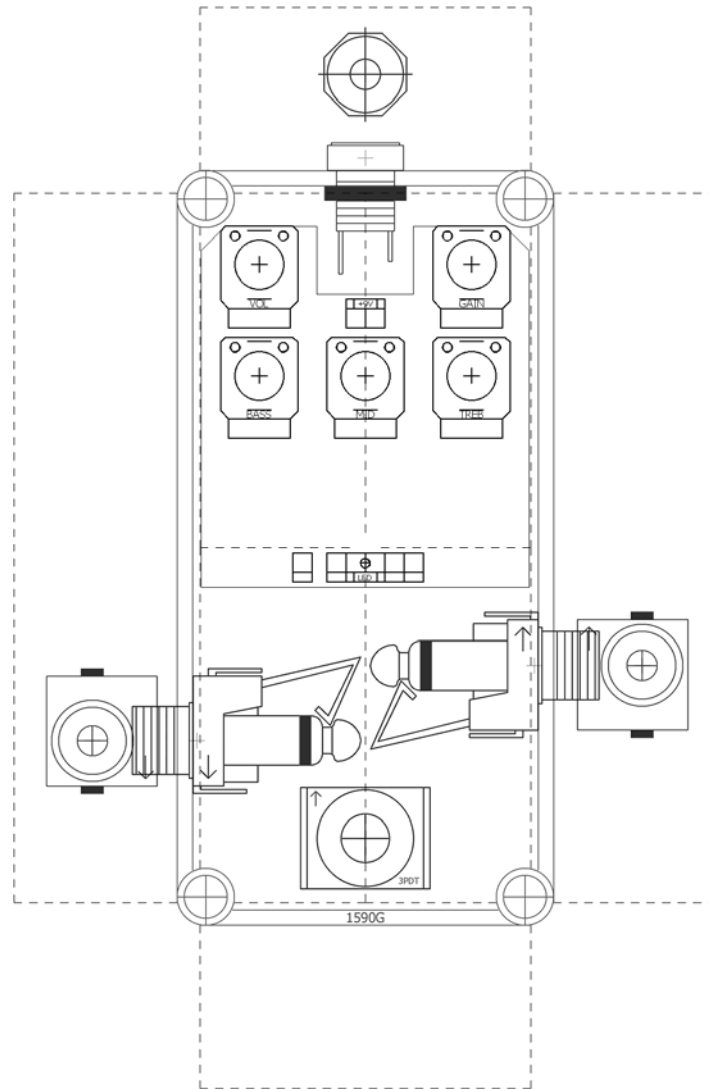
Resistors		Caps		Diodes	
R1	1M	C1	22n	D1	1N4001
R2	100R	C2	47uF	Transistors	
R3	33k	C3	680pF	Q1	2N5457
R4	1M	C4	22n	IC	
R5	10k	C5	22n	IC1	LM386
R6	10k	C6	1uF	Pots	
R7	47R	C7	47uF	BASS	1MA
R8	4k7	C8	100n	MID	25kB
				TREB	250kA
				GAIN	5kC
				VOL	500kA

Shopping List

Value	QTY	Type	Rating
47R	1	Metal / Carbon Film	1/4W
100R	1	Metal / Carbon Film	1/4W
4k7	1	Metal / Carbon Film	1/4W
10k	2	Metal / Carbon Film	1/4W
33k	1	Metal / Carbon Film	1/4W
1M	2	Metal / Carbon Film	1/4W
680pF	1	Ceramic	16v min.
22n	3	Film	16v min.
100n	1	Film	16v min.
1uF	1	Electrolytic	16v min.
47uF	2	Electrolytic	16v min.
1N4001	1		
2N5457	1		
LM386	1		
1MA	1	PCB Right Angle, Plastic Shaft	9mm
25kB	1	PCB Right Angle, Plastic Shaft	9mm
250kA	1	PCB Right Angle, Plastic Shaft	9mm
5kC	1	PCB Right Angle, Metal Shaft	9mm
500kA	1	PCB Right Angle, Metal Shaft	9mm

1590G Drill Guide

3.66"W x 5.63"H



Indicator LED can be mounted directly to the PCB. Drill spot is directly above the “LED” text.

Overview

The Stank is based on the well-known Aron Nelson Smash Drive; an incredibly simple but great sounding distortion machine. The Stank adds a TMB tone stack and a simple JFET buffer for recovery. All in all a sweet and simple package for stank riffage.

Controls

- **Self-explanatory.**

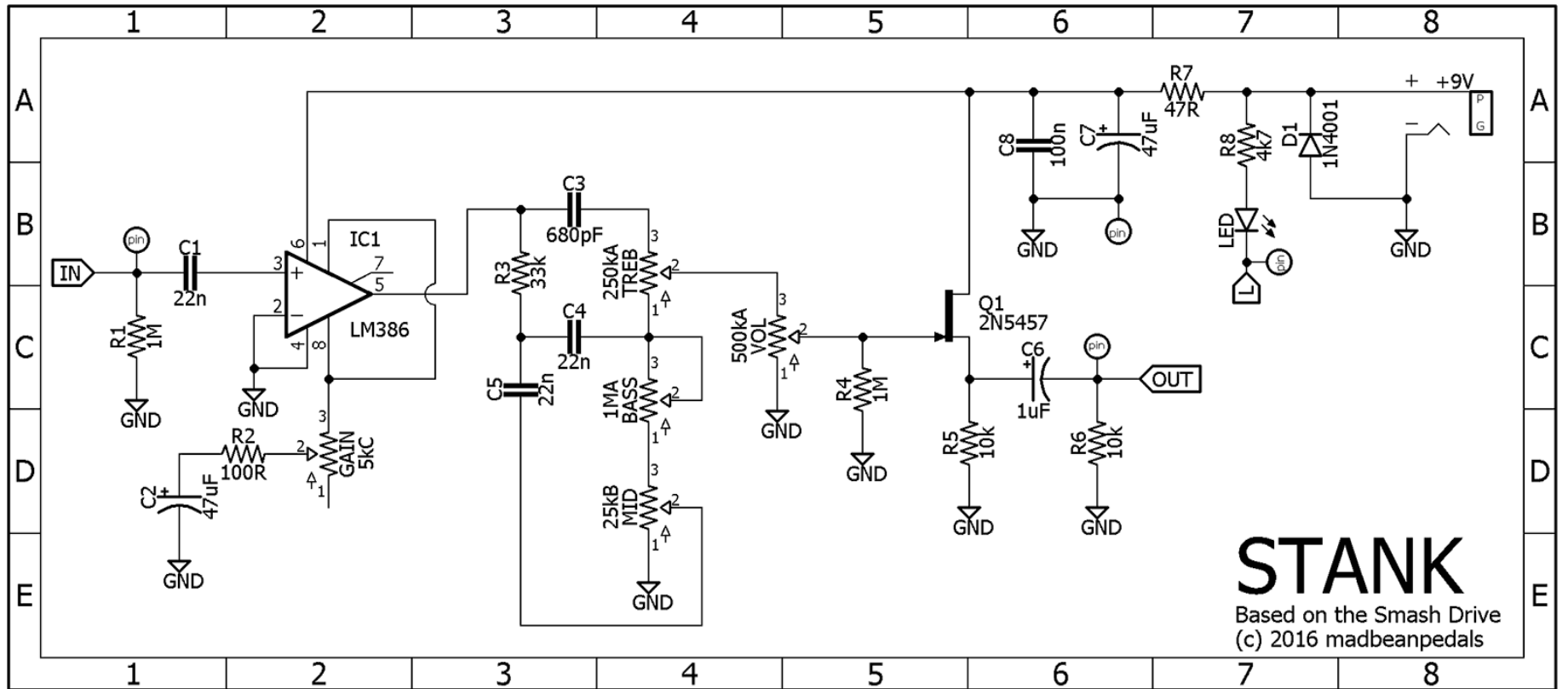
Notes

The Stank is a nice little distortion machine, but it does not do low gain. It ranges from medium to high gain. There's pretty much no getting around that without a different design approach. A larger value Gain pot will not reduce minimum distortion. You could C2 down to 1uF or 2u2, but this most likely will reduce the max distortion available which is not desirable.

The TMB controls are meant to be the plastic shaft type. You might be able to get away with using metal shaft pots and 1/2" diameter knobs on them but they will be so close together it will be hard to use them. FYI.

Voltages

IC1	V	Q1	V
1	1.34	D	8.89
2	0	S	1.54
3	ignore	G	0
4	0		
5	4.3		
6	8.91		
7	4.49		
8	1.34		



STANK
 Based on the Smash Drive
 (c) 2016 madbeanpedals