

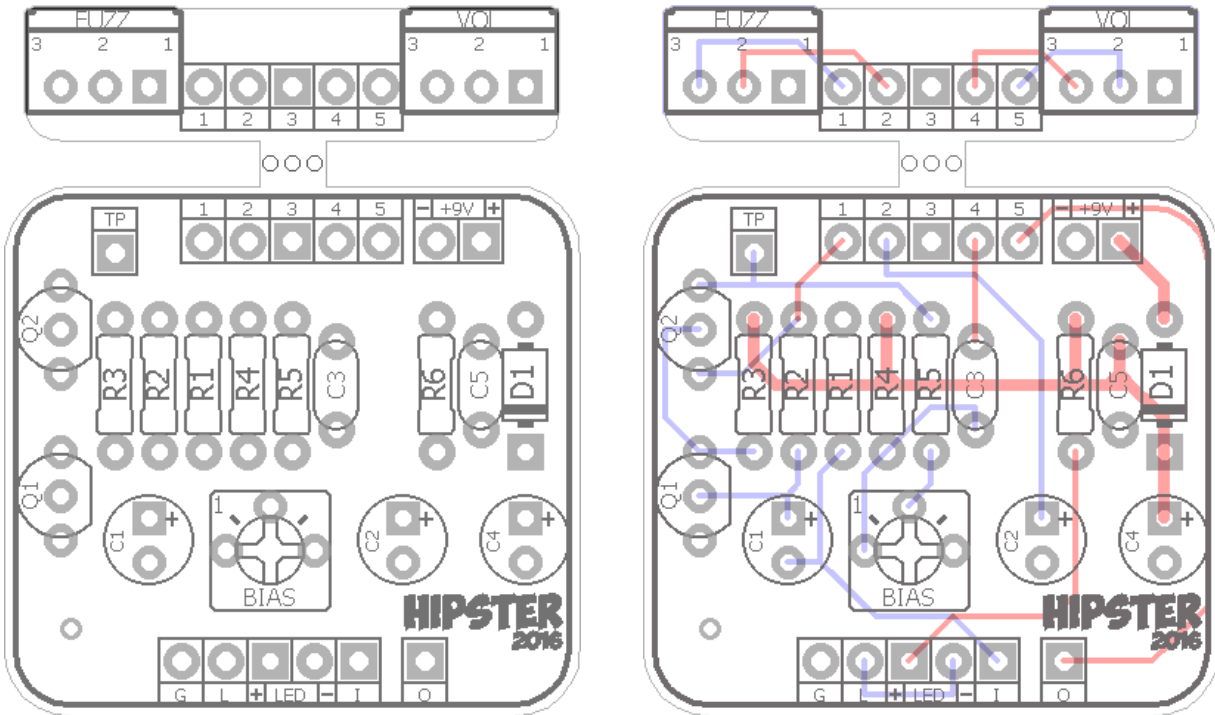
HIPSTER

FX TYPE: Fuzz

Based on the silicon Fuzz Face

© 2016 madbeanpedals

1.3" W x 1.2" H (main PCB)



Terms of Use: You are free to use purchased **Hipster** circuit boards for both DIY and small commercial operations. You may not offer **Hipster** PCBs for resale or as part of a "kit" in a commercial fashion. Peer to peer re-sale is, of course, okay.

Resistors	
R1	1M
R2	100k
R3	33k
R4	470R
R5	1k
R6	4K7
Caps	
C1	2u2
C2	22uF
C3	10n
C4	47uF
C5	100n
Diodes	
D1	1N5817
Transistors	
Q1, Q2	Si
Trimmer	
BIAS	25k
Pots	
FUZZ	1kB
VOL	500kA

Shopping List			
Value	QTY	Type	Rating
470R	1	Metal / Carbon Film	1/4W
1k	1	Metal / Carbon Film	1/4W
4K7	1	Metal / Carbon Film	1/4W
33k	1	Metal / Carbon Film	1/4W
100k	1	Metal / Carbon Film	1/4W
1M	1	Metal / Carbon Film	1/4W
10n	1	Film	16v min.
100n	1	Film	16v min.
2u2	1	Electrolytic	16v min.
22uF	1	Electrolytic	16v min.
47uF	1	Electrolytic	16v min.
1N5817	1		
Si	2	*your choice	
25k	1	Bourns 3362P	
1kB	1	PC Mount	9mm
500kA	1	PC Mount	9mm

Reminder: Baby Boards require low-profile Electrolytic caps (max height 5 or 7mm) to fit in a 1590A.

Pots: <http://smallbear-electronics.mybigcommerce.com/alpha-single-gang-9mm-pc-mount/>

Overview

The **Hipster** is based directly on the classic Fuzz Face™ and utilizes NPN transistors with a negative ground configuration. The 2016 version has a tightened up layout to make it slightly smaller than the previous version. The small cap between Q2 collector and base from the 2014 version was omitted since this is generally not needed (and not used) in the FF.

Notes

There are a variety of transistors that can be used for **Q1** and **Q2**. Suggestions are: BC108, BC109, 2n3904, BC183 (B, C) and/or BC550. The pinout for the Hipster is C-B-E (as in the 2n3904). Make sure you know the pinout of the transistors you are using before soldering them to the PCB---you may need to twist the leads around to accommodate some pinouts.

R1 is an optional pulldown resistor not featured in the classic Fuzz Face™. I generally do not use pulldown resistors with fuzzes unless there is a bad “pop” when switching it on.

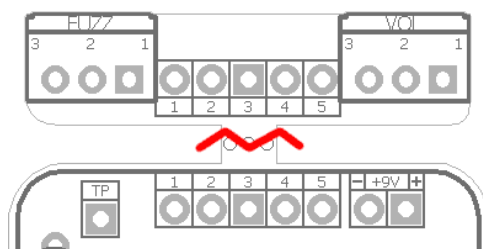
A 1kC (reverse audio) pot can alter the ‘feel’ of the fuzz control and prevent it from “bunching up” at the very extreme.

Adjust the **BIAS** trimpot until you read approximately 4.5v on the collector of **Q2** (use the TP pad on the upper left corner of the PCB with your DMM to set the bias voltage). 3.5v – 5.5v is the nominal range so feel free to experiment with your bias setting. A setting of between 3.0v – 4.0v will be compressed and very squishy sounding similar to some Eric Johnson fuzz tones.

You can use a 20k trimmer in place of the 25k, if needed.

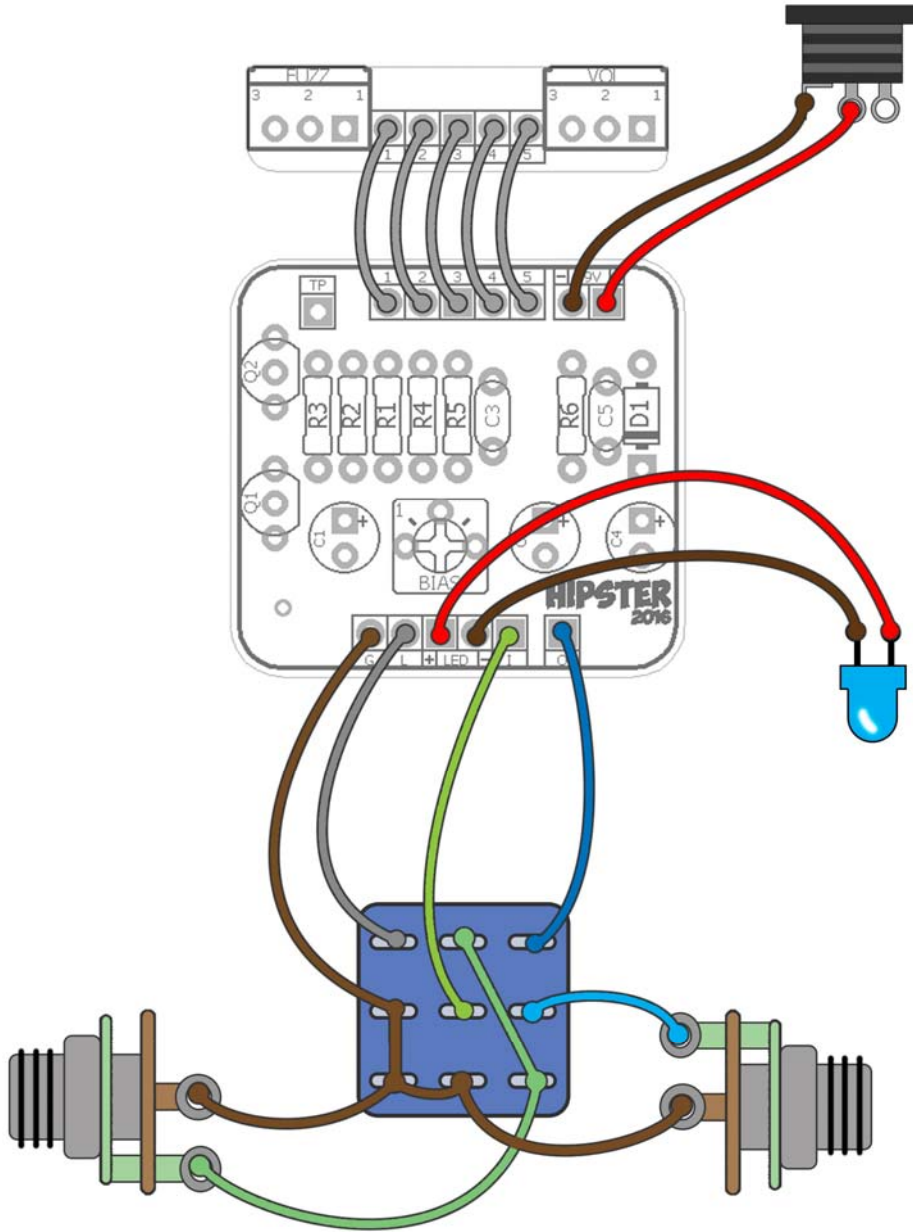
For increased output, use a 1k or 1k2 for R4.

Before you begin, separate the main board from the daughter board. These will snap apart with finger pressure. Use a wire cutter to trim the jagged edges so that they are flush with the PCB edges.



The PC Mount pots should be soldered to the top of the daughter board and the two boards wired together as shown on the diagram. Be sure to use long enough wires when connecting the boards – 1.5” or so.

Wiring



1590A Drill Guide

3.63"W x 5.7"H

