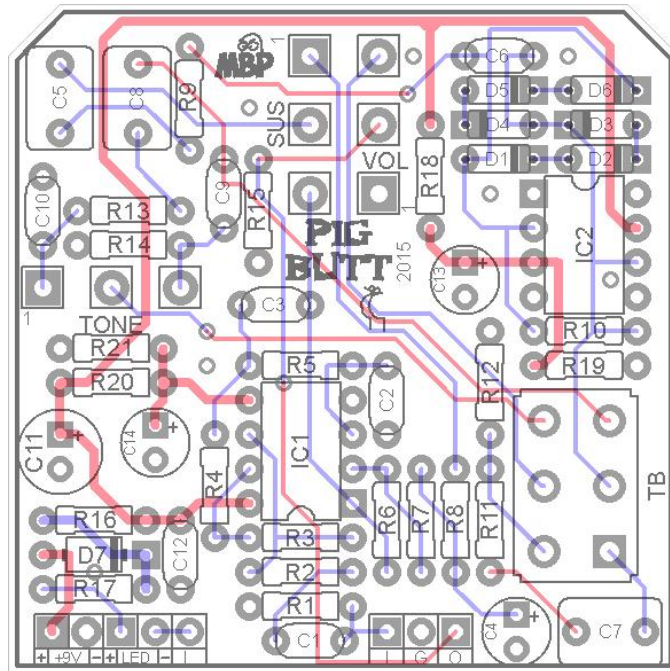
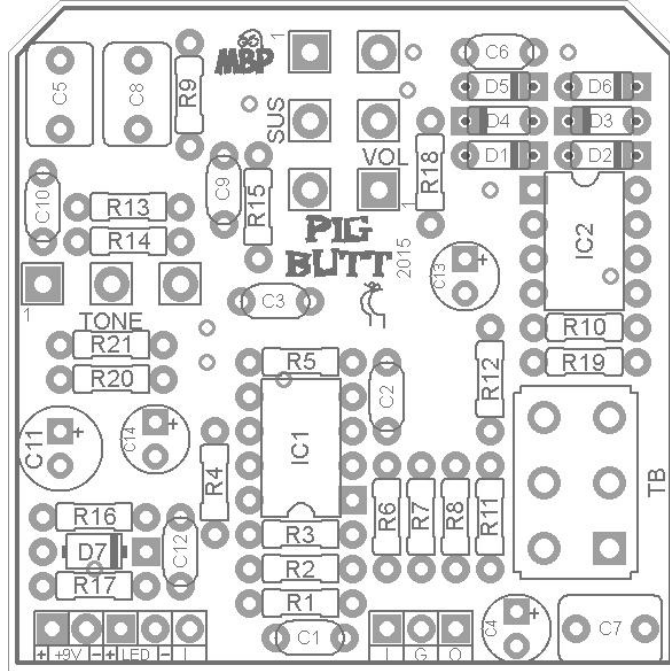


# PIGBUTT

FX TYPE: DISTORTION  
Based on the EHX Op-Amp Muff™  
© 2015 madbeanpedals

1.95" W x 1.95" H

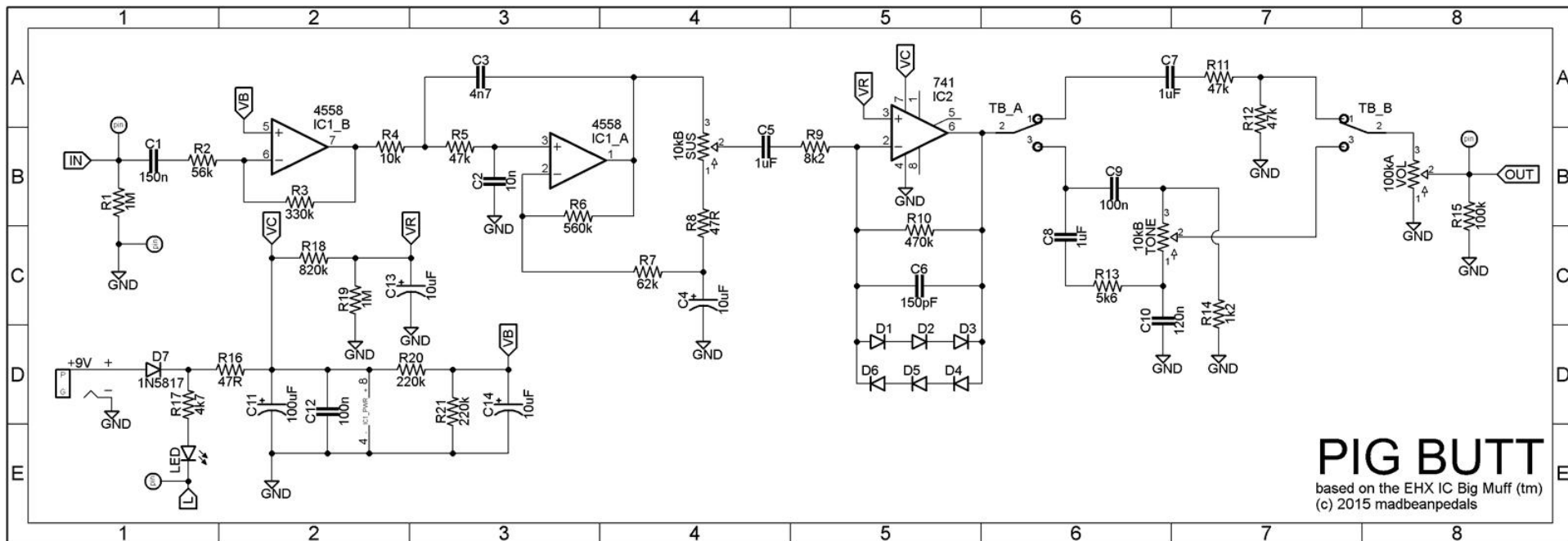


**Terms of Use:** You are free to use purchased **PigButt** circuit boards for both DIY and small commercial operations. You may not offer **PigButt** PCBs for resale or as part of a "kit" in a commercial fashion. Peer to peer re-sale is, of course, okay.

| B.O.M.    |      |      |       |         |        |
|-----------|------|------|-------|---------|--------|
| Resistors |      | Caps |       | Diodes  |        |
| R1        | 1M   | C1   | 150n  | D1 - D6 | 1N914  |
| R2        | 56k  | C2   | 10n   | D7      | 1N5817 |
| R3        | 330k | C3   | 4n7   | I.C.    |        |
| R4        | 10k  | C4   | 10uF  | IC1     | 4558   |
| R5        | 47k  | C5   | 1uF   | IC2     | LM741  |
| R6        | 560k | C6   | 150pF | Switch  |        |
| R7        | 62k  | C7   | 1uF   | TB      | DPDT   |
| R8        | 47R  | C8   | 1uF   | Pots    |        |
| R9        | 8k2  | C9   | 100n  | SUS     | 10kB   |
| R10       | 470k | C10  | 120n  | TONE    | 10kB   |
| R11       | 47k  | C11  | 100uF | VOL     | 100kA  |
| R12       | 47k  | C12  | 100n  |         |        |
| R13       | 5k6  | C13  | 10uF  |         |        |
| R14       | 1k2  | C14  | 10uF  |         |        |
| R15       | 100k |      |       |         |        |
| R16       | 47R  |      |       |         |        |
| R17       | 4k7  |      |       |         |        |
| R18       | 820k |      |       |         |        |
| R19       | 1M   |      |       |         |        |
| R20       | 220k |      |       |         |        |
| R21       | 220k |      |       |         |        |

## Shopping List

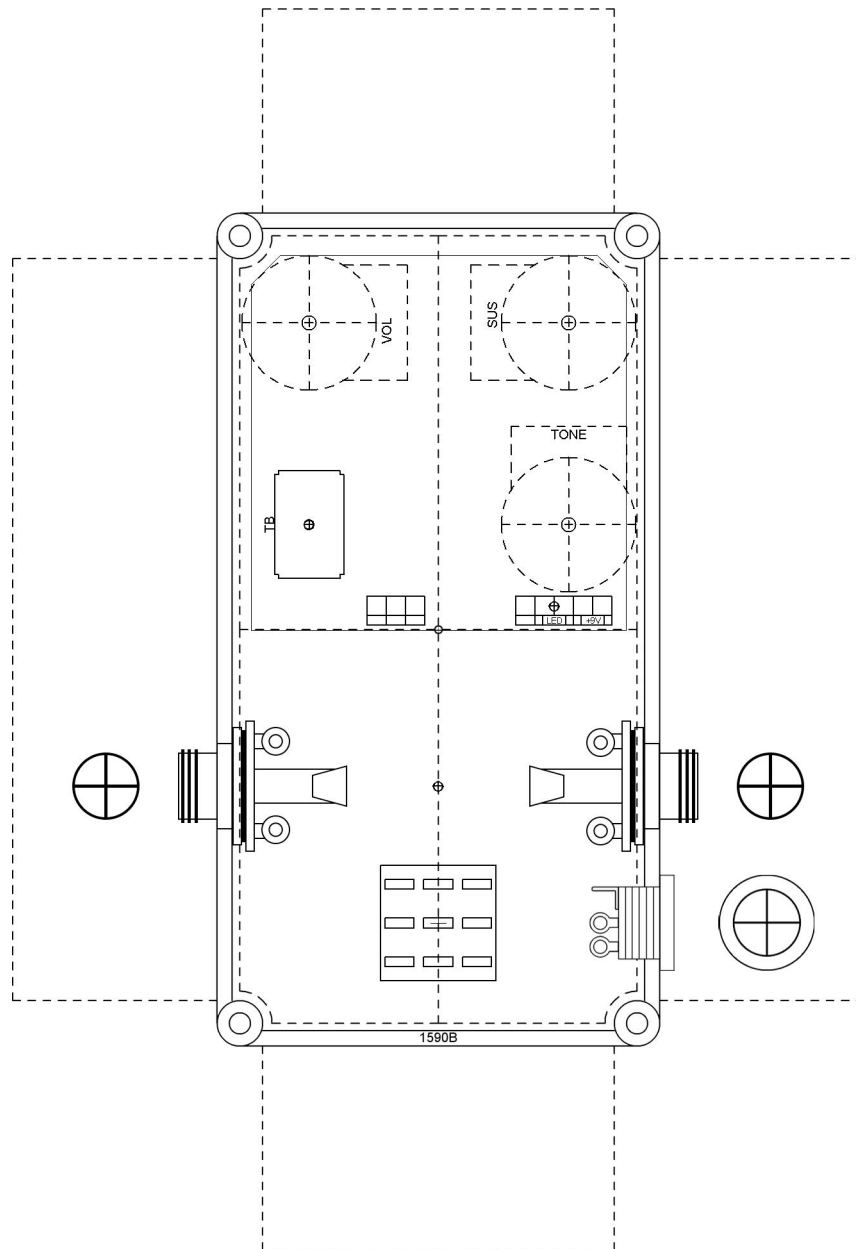
| Value  | QTY | Type                 | Rating  |
|--------|-----|----------------------|---------|
| 47R    | 2   | Carbon/Metal Film    | 1/4W    |
| 1k2    | 1   | Carbon/Metal Film    | 1/4W    |
| 4k7    | 1   | Carbon/Metal Film    | 1/4W    |
| 5k6    | 1   | Carbon/Metal Film    | 1/4W    |
| 8k2    | 1   | Carbon/Metal Film    | 1/4W    |
| 10k    | 1   | Carbon/Metal Film    | 1/4W    |
| 47k    | 3   | Carbon/Metal Film    | 1/4W    |
| 56k    | 1   | Carbon/Metal Film    | 1/4W    |
| 62k    | 1   | Carbon/Metal Film    | 1/4W    |
| 100k   | 1   | Carbon/Metal Film    | 1/4W    |
| 220k   | 2   | Carbon/Metal Film    | 1/4W    |
| 330k   | 1   | Carbon/Metal Film    | 1/4W    |
| 470k   | 1   | Carbon/Metal Film    | 1/4W    |
| 560k   | 1   | Carbon/Metal Film    | 1/4W    |
| 820k   | 1   | Carbon/Metal Film    | 1/4W    |
| 1M     | 2   | Carbon/Metal Film    | 1/4W    |
| 150pF  | 1   | Ceramic              | 16v min |
| 4n7    | 1   | Film                 | 16v min |
| 10n    | 1   | Film                 | 16v min |
| 100n   | 2   | Film                 | 16v min |
| 120n   | 1   | Film                 | 16v min |
| 150n   | 1   | Film                 | 16v min |
| 1uF    | 3   | Film                 | 16v min |
| 10uF   | 3   | Electrolytic         | 16v min |
| 100uF  | 1   | Electrolytic         | 16v min |
| 1N914  | 6   |                      |         |
| 1N5817 | 1   |                      |         |
| 4558   | 1   |                      |         |
| LM741  | 1   |                      |         |
| DPDT   | 1   | O/On, PCB pin mount  |         |
| 10kB   | 2   | PCB mount, short pin | 16mm    |
| 100kA  | 1   | PCB mount, short pin | 16mm    |



**PIG BUTT**  
 based on the EHX IC Big Muff (tm)  
 (c) 2015 madbeanpedals

# 1590B Drilling Guide

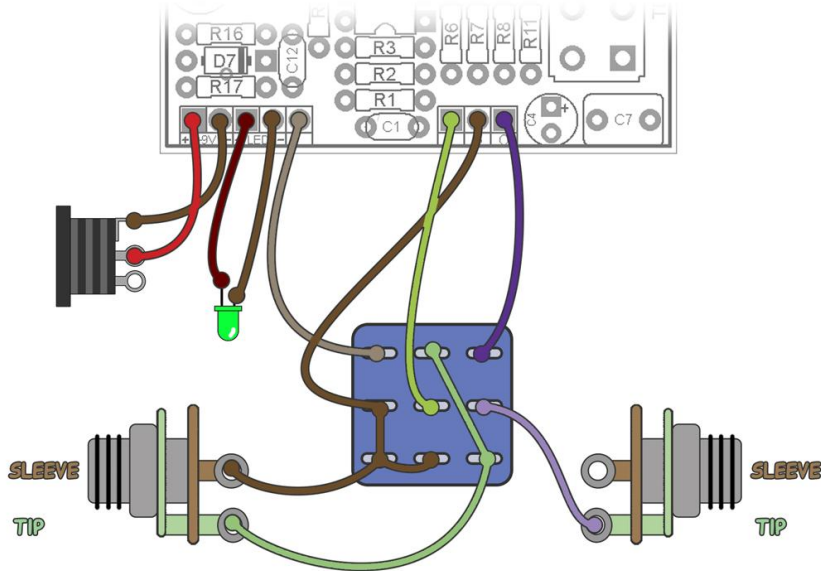
4.43" W x 6.46" H



Download the Photoshop file used to make this template here:

[http://www.madbeanpedals.com/projects/PigButt/PigButt\\_DRILL.zip](http://www.madbeanpedals.com/projects/PigButt/PigButt_DRILL.zip)

## Wiring Guide



---

The **PigButt** is a modded Op-Amp Muff™. It's a nasty little beast, full of saturated distortion; not too edgy or too smooth. It provides a wonderful “wall of fuzz” like the Big Muff but with a different feel and texture. The PigButt also features a tone bypass switch for even greater distorted output.

**VOL:** The output volume.

**TONE:** The familiar Big Muff™ tone stack, but with different values.

**SUS:** Total amount of distortion.

**TB:** Tone bypass. The tone control is bypassed when the switch is in the UP position.

---

## Voltages

| 4558 | vDC  | LM741 | vDC    |
|------|------|-------|--------|
| 1    | 4.57 | 1     | 3mV    |
| 2    | 4.59 | 2     | 4.76   |
| 3    | 4.49 | 3     | 4.57   |
| 4    | 0v   | 4     | 0v     |
| 5    | 4.48 | 5     | 3mV    |
| 6    | 4.65 | 6     | 4.76   |
| 7    | 4.52 | 7     | 9.03   |
| 8    | 9.03 | 8     | ignore |

LM741 pin8 tends to show rising mV readings – most likely caused by the DMM. Just ignore it.