

# EGGHEAD

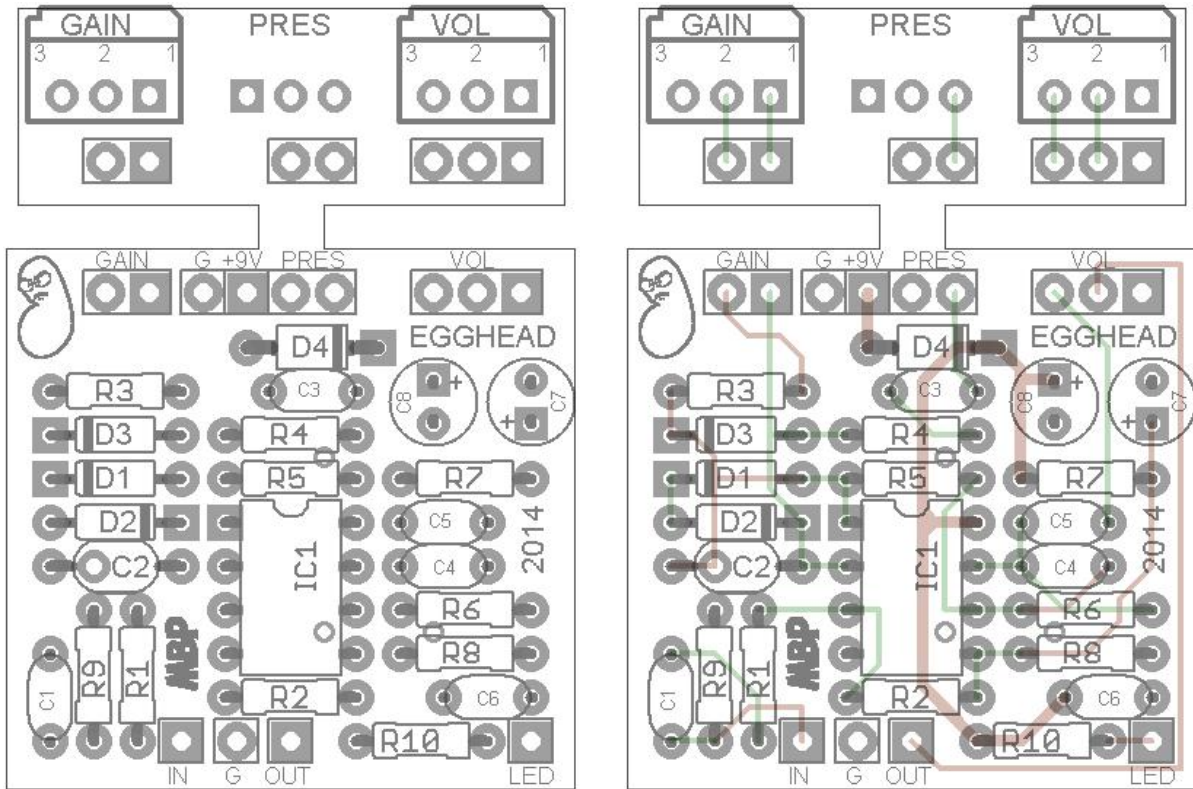
FX TYPE: Overdrive

Based on the Clark Gainster™

© 2014 madbeapedals

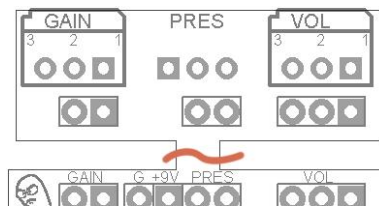
2014 changes: New layout, swapped 1N4001 for 1N5817 polarity protection.

1.3" W x 1.25" H (main board)



The extra small pads on the PCB are vias. You do not need to do anything with them.

Before you start populating, be sure to separate the two boards. The main PCB is for components and the daughter PCB is for the 9mm pots. You can use your lead cutter to snip the bridge between the two boards.



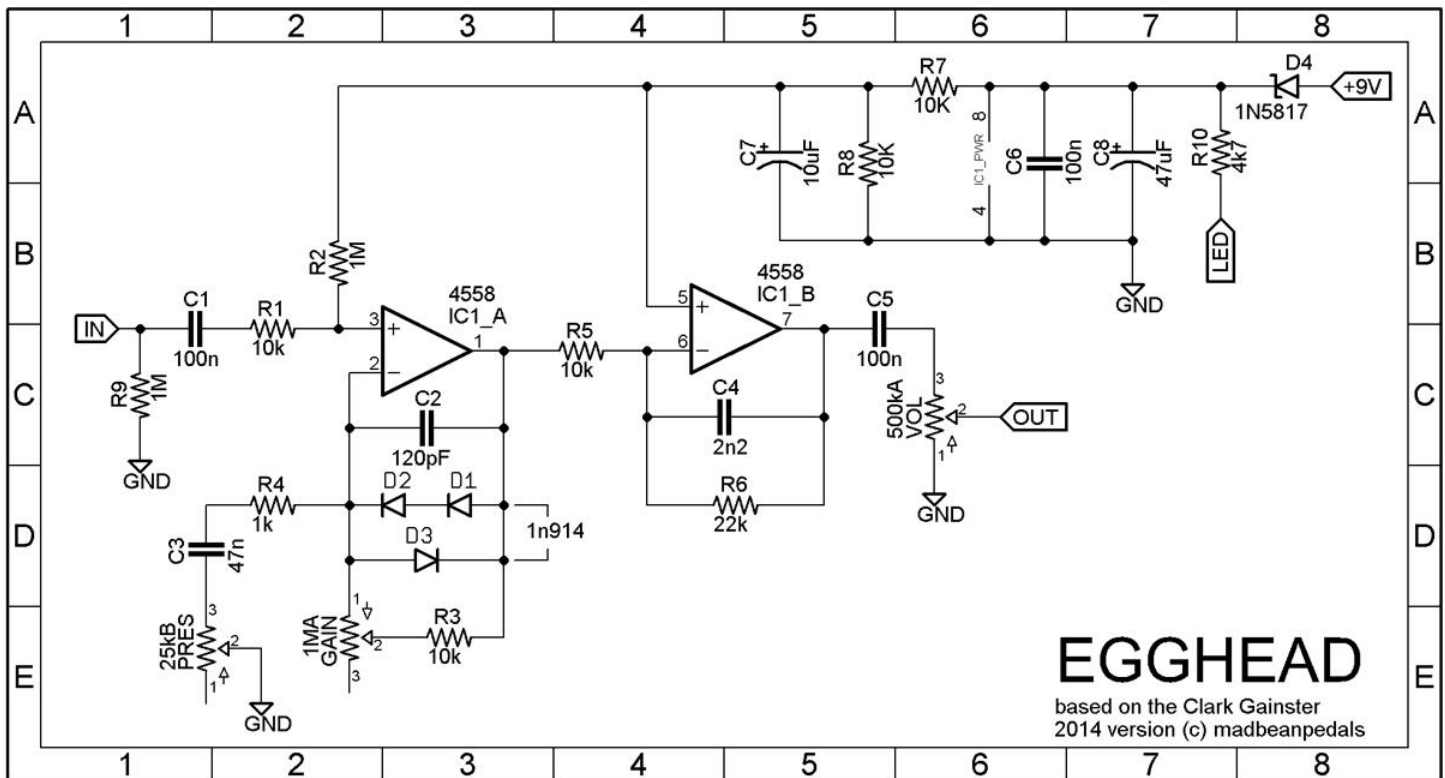
Use an Xacto knife to cut away the excess PCB material, if desired.

**Terms of Use:** You are free to use purchased **Egghead** circuit boards for both DIY and small commercial operations. You may not offer **Egghead** PCBs for resale or as part of a "kit" in a commercial fashion. Peer to peer re-sale is, of course, okay.

Resistors		B.O.M. Caps		Diodes	
R1	10k	C1	100n	D1 - D3	1n914
R2	1M	C2	120pF	D4	1N5817
R3	10k	C3	47n	IC	
R4	1k	C4	2n2	IC1	4558
R5	10k	C5	100n	Pots	
R6	22k	C6	100n	PRES	25kB
R7	10K	C7	10uF	GAIN	1MA
R8	10K	C8	47uF	VOL	500kA
R9	1M				
R10	4k7				

		Shopping List	
Value	QTY	Type	Rating
1k	1	metal or carbon film	1/4 W
4k7	1	metal or carbon film	1/4 W
10k	5	metal or carbon film	1/4 W
22k	1	metal or carbon film	1/4 W
1M	2	metal or carbon film	1/4 W
120pF	1	ceramic or mica	16v
2n2	1	film	16v
47n	1	film	16v
100n	3	film	16v
10uF	1	electrolytic	16v
47uF	1	electrolytic	16v
1n914	3		
1N5817	1		
4558	1		
25kB	1	9mm Alpha	
1MA	1	9mm Alpha	
500kA	1	9mm Alpha	

Download the pdf file for the previous version of the Egghead here (before August 2014):  
<http://www.madbeanpedals.com/projects/Egghead/Egghead.zip>



The EggHead is a version of the Clark Gainster™ overdrive fitted for the 1590A enclosure in the Baby Board line of madbeanpedals projects. It's a simple and smooth sounding OD, takes only a few minutes to build and should not cost more than \$35 with enclosure and hardware.

**Gain** – The total amount of overdrive.

**Pres** – The presence control adjusts the frequency rolloff at which the overdrive is applied. Counter-clockwise results in more bass content and clockwise applies smooth overdrive to the higher frequencies on the guitar.

**Vol** – The total output.

### Notes

C2 has two different holes for component spacing. If using a ceramic, use the red and yellow pads. If using a mica cap, use the red and green pads.

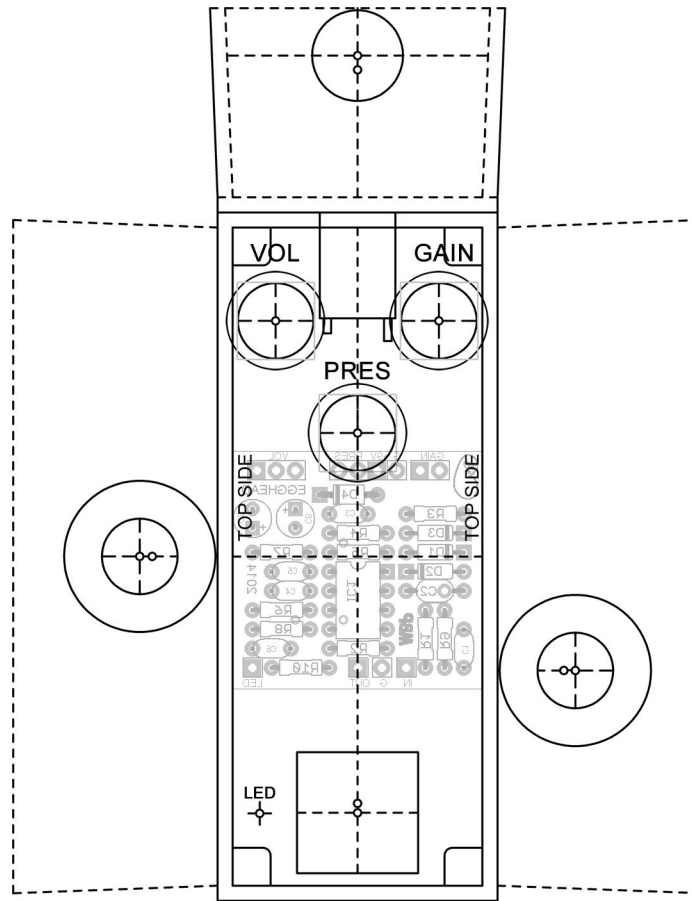


Mount the Vol and Gain pots on the top side of the daughter PCB and the Pres pot on the bottom (ignore the pot values shown in the pic).



## 1590A Drill Guide

3.6" W x 4.66" H



Download the Photoshop file used to make the drilling template here:  
[http://www.madbeanpedals.com/projects/Egghead/Egghead\\_Drill.zip](http://www.madbeanpedals.com/projects/Egghead/Egghead_Drill.zip)

# Wiring

