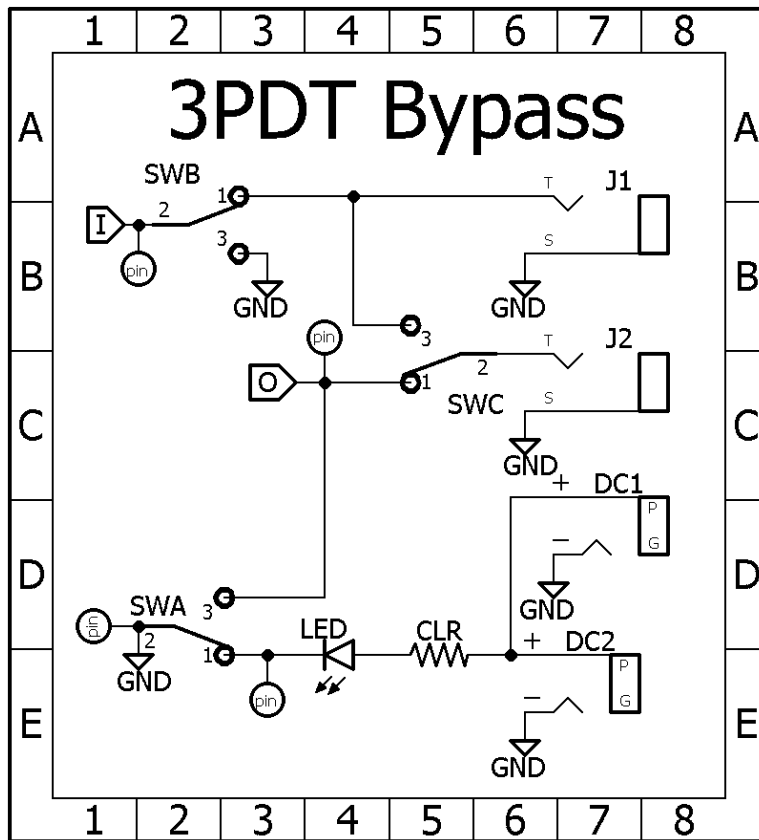
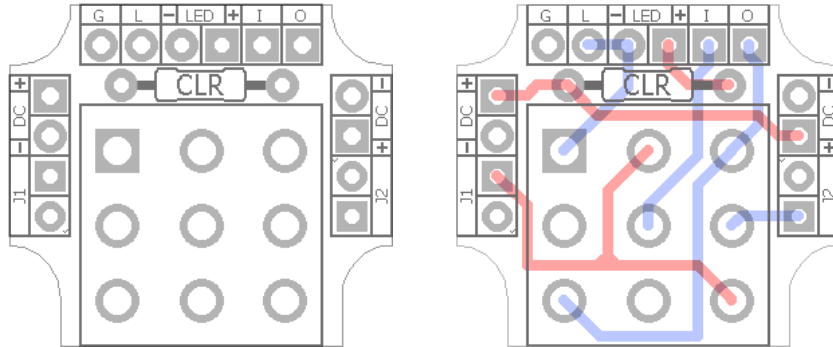


3PDT PCB

© 2016 madbeanpedals

Update – 10.17.16 – Please see this forum post for a possible issue when using metal jacks with this board! <http://www.madbeanpedals.com/forum/index.php?topic=24011.0>

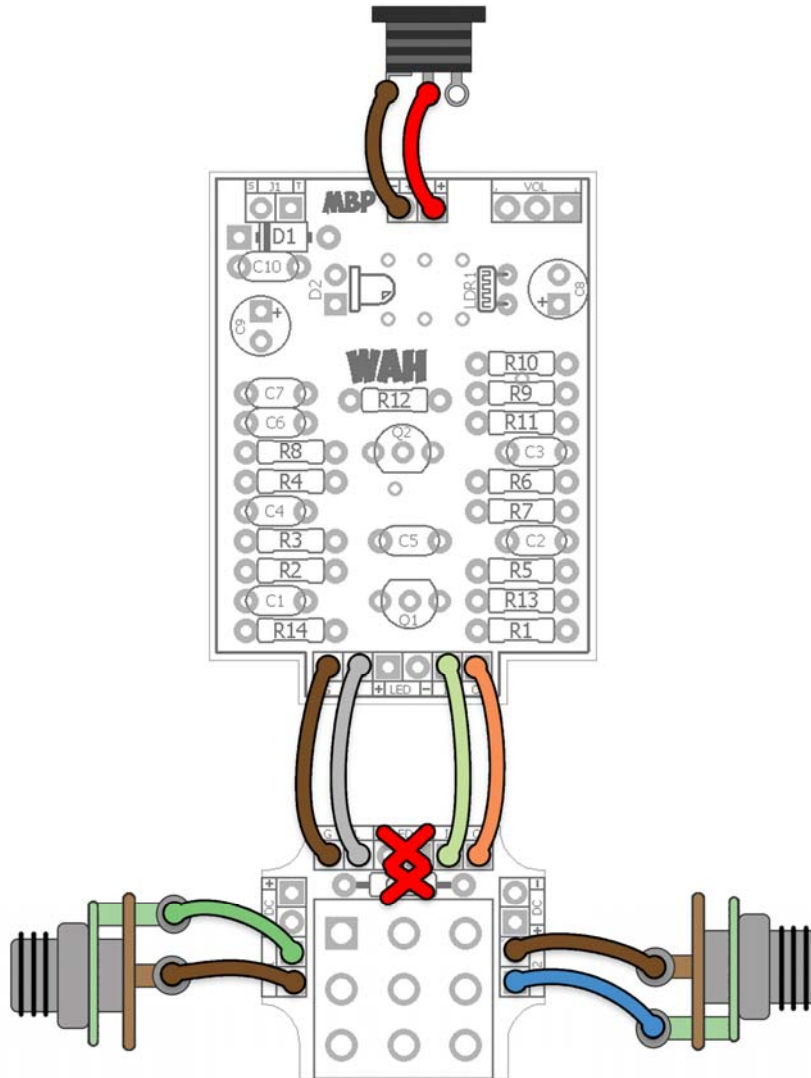


This 3PDT PCB is designed for foot-switch bypass operation. It features grounded effect in/output on bypass, and an on-board LED/CLR option.

This PCB is meant to be used with the PC Mount type 3PDT foot-switch. A solder lug switch will not fit these pads!

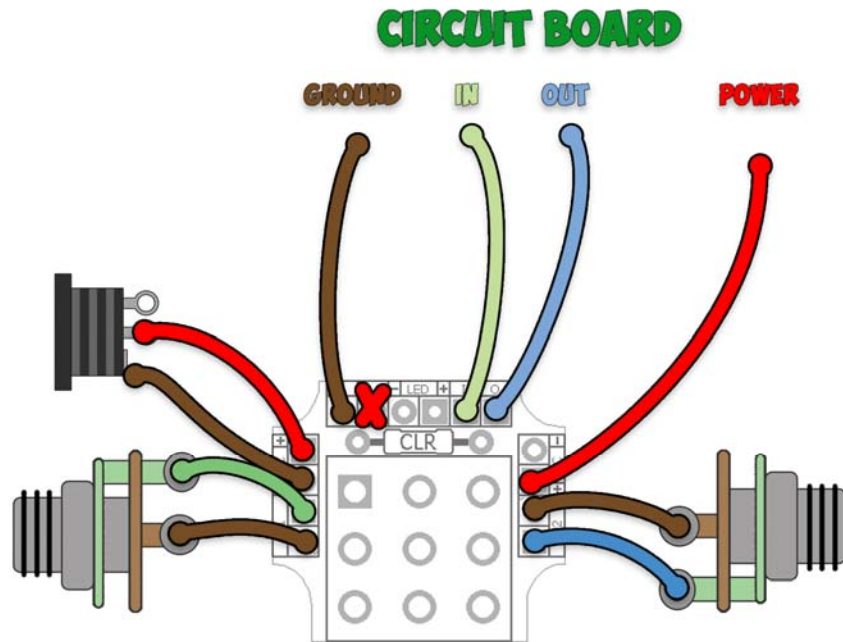
<http://smallbear-electronics.mybigcommerce.com/cic-blue-3pdt-pc-mount/>

Wiring 1



This wiring shows how to connect a typical MBP circuit board. Here the LED and CLR are already on the effect PCB, so we do not use these connections on the 3PDT board (unless you want to, of course). The “L” pad on the effect PCB is wired to the “L” pad on the 3PDT PCB to toggle the LED off when the circuit is bypassed. The DC connections on the 3PDT PCB are not used in this example.

Wiring 2



This wiring shows how to connect a different circuit board where the LED and CLR are not included. Here the DC Jack is wired to the 3PDT PCB, and the CLR and LED are soldered to it, as well. The “L” pad is left unconnected.