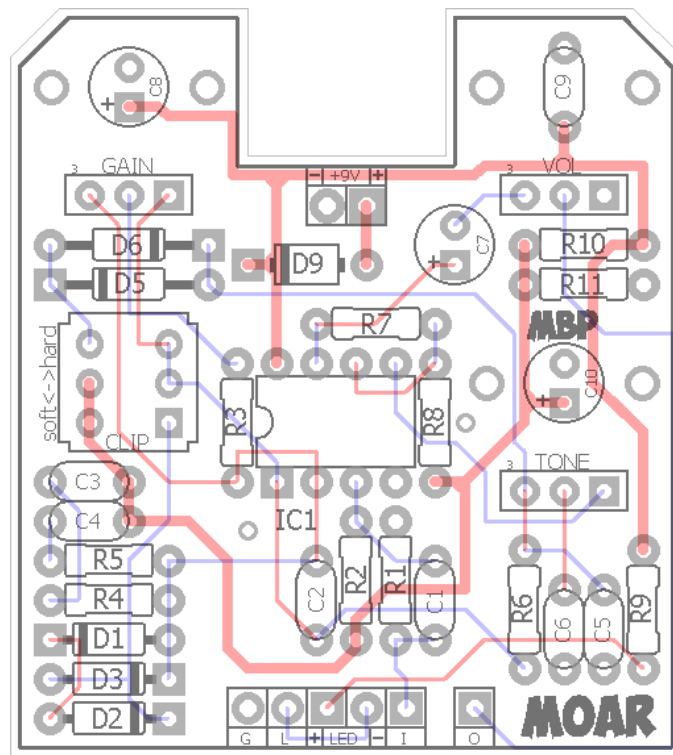
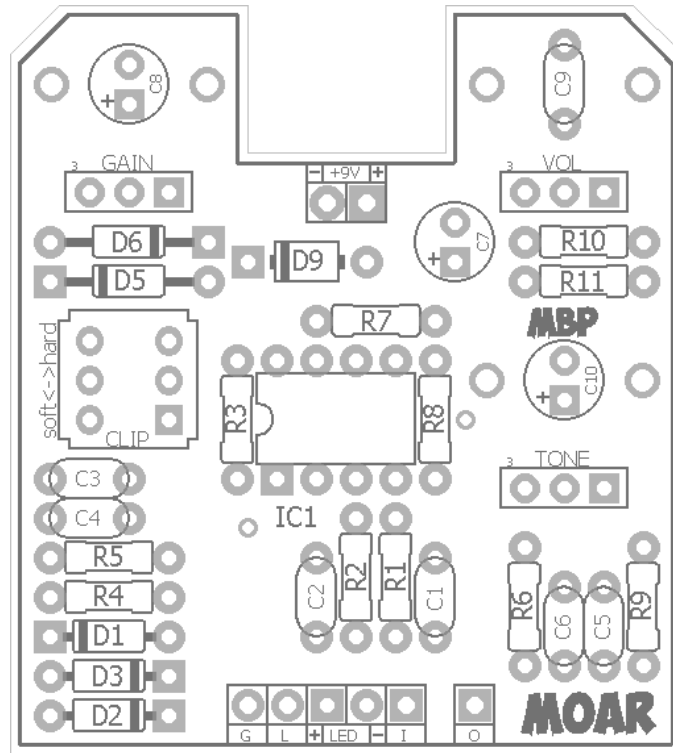


# MOAR

FX TYPE: Overdrive  
© 2016 madbeanpedals

1.7" W x 1.9" H



**Terms of Use:** You are free to use purchased circuit boards for both DIY and small commercial operations. You may not offer these PCBs for resale or as part of a "kit" in a commercial fashion. Peer to peer re-sale is, of course, okay.

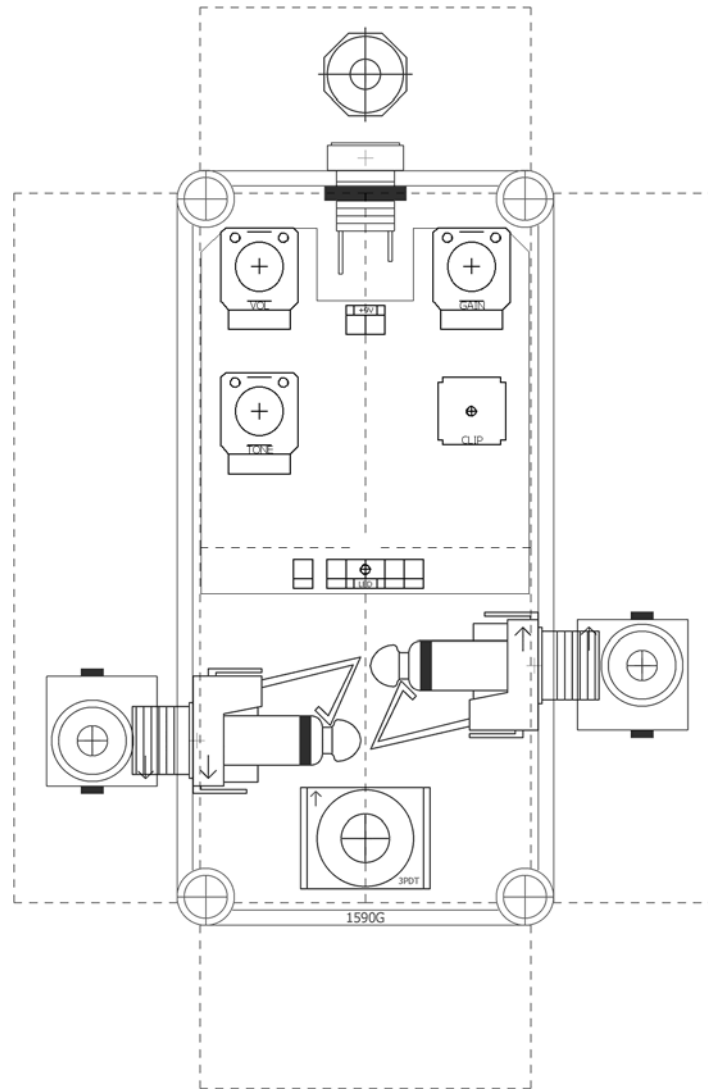
B.O.M.					
Resistors		Caps		Diodes	
R1	2M2	C1	47n	D1 - D3	1n914
R2	1M	C2	330pF	D5, D6	1n914
R3	4k7	C3	10n	D9	1N5817
R4	6k8	C4	100n	IC	
R5	4k7	C5	6n8	IC1	your choice
R6	1k	C6	4n7	Switch	
R7	4k7	C7	4u7	CLIP	DPDT
R8	4k7	C8	47uF	Pots	
R9	4k7	C9	100n	VOL	10kA
R10	10k	C10	10uF	TONE	50kB
R11	10k			GAIN	500kA

Shopping List			
Value	QTY	Type	Rating
1k	1	Metal / Carbon Film	1/4W
4k7	5	Metal / Carbon Film	1/4W
6k8	1	Metal / Carbon Film	1/4W
10k	2	Metal / Carbon Film	1/4W
1M	1	Metal / Carbon Film	1/4W
2M2	1	Metal / Carbon Film	1/4W
330pF	1	Ceramic	16v min.
4n7	1	Film	16v min.
6n8	1	Film	16v min.
10n	1	Film	16v min.
47n	1	Film	16v min.
100n	2	Film	16v min.
4u7	1	Electrolytic	16v min.
10uF	1	Electrolytic	16v min.
47uF	1	Electrolytic	16v min.
1n914	5		
1N5817	1		
IC	1	your choice	
DPDT	1	Mini, PCB Mount, On/On	
10kA	1	PCB Right Angle, Metal Shaft	9mm
50kB	1	PCB Right Angle, Metal Shaft	9mm
500kA	1	PCB Right Angle, Metal Shaft	9mm

I liked LM1458 for my build but others will work: 4558, TL072, 4580, 4559. etc.  
 On/On switch: <http://smallbear-electronics.mybigcommerce.com/dpdt-on-on-0223/>

# 1590G Drill Guide

3.66"W x 5.63"H



Indicator LED can be mounted directly to the PCB. Drill spot is directly above the "LED" text.

Photoshop Drill Guide: <http://www.madbeanpedals.com/projects/1590G/DrillGuides>

**Note:** PCB silk-screen has the clipping direction reversed. Hard clipping is switch DOWN and Soft Clipping is Switch UP. D'oh!

## Overview

The Moar is a friggin' killer sounding overdrive. Its gonna take yer wiggly-wahs and yer tappity-taps and make 'em sound like Eddie Van Failin' and Jimmy LePage spent a night feeding in some Weird Science sh%t into a super computer and out came the ~~most bad-ass overdrive ever known...~~ Moar. The Moar uses ideas from the Timmy and the Rat and turns them into a sort of...Rimmy. Or Trat.

## Controls

- **GAIN:** Makes your wiggly-wahs crunchy.
- **TONE:** Makes your tappity-taps appropriately ear-piercing.
- **VOL:** Makes your bumpity-uglies louder.
- **CLIP:** Choose between awesome and awesomer.

## Notes

Originally I picked germanium for D5 and D6 but decided at the last minute that 1n914 were better, overall. If you want to try different diodes here, sockets are fine (they will fit in the enclosure). There will be a volume difference between Soft and Hard Clipping...it's normal.

The Clip switch should be soldered directly to the PCB.

## Voltages

IC1	DC
1	4.83
2	4.88
3	4.03
4	0
5	4.79
6	4.84
7	4.94
8	9.22

9.42vDC One Spot Power Supply

